

Wilkinson[®]
by **GOTOH**[®]

GOTOH Wilkinson has the "by G-GOTOH" mark.

Tremolo & Bridge

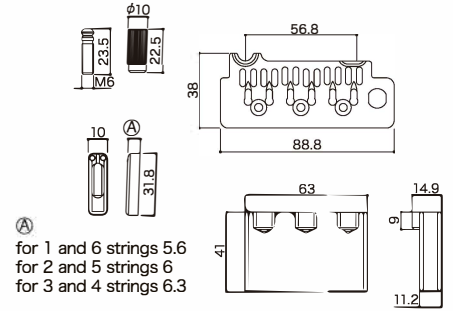
VS100N

Finishes HC. HG. HB. HCK

STRING SPACING : 10.8MM
STUD LOCK-PAT.



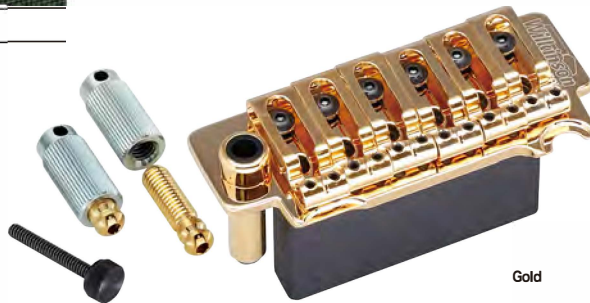
Honed Black



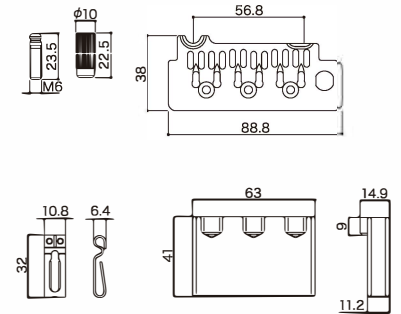
VG300

Finishes C. GG. B. CK

STRING SPACING : 10.8MM
STUD LOCK-PAT.



Gold



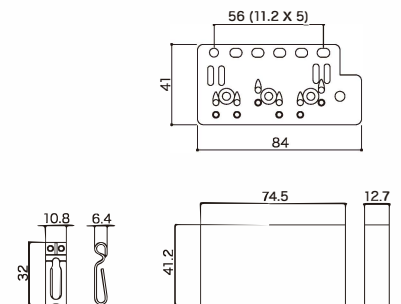
VSVG

Finishes N. GG. B. CK

STRING SPACING : 10.8MM



Nickel



WT3

Finishes N. C. GG (PLATE ONLY)

STRING SPACING : 10.8MM



Chrome

